

## Sole Cleaner and Sanitiser

# MANUAL

\* Please kindly read and understand this manual before use of this equipment

# Contents

There are several kinds of models at Clean Shoes Floor-W and the basic model is DS-313. This manual is explained on the base of the above DS-313 accordingly.

All Models: CS-313, CS-313DX, CS-414, CS-414DX, CS-515

<b>Safety Notice</b> .....	<b>3</b>
<b>Before Use</b> .....	<b>4</b>
Name of parts .....	4
Specification .....	5
<b>How to use (Usage)</b> .....	<b>6</b>
<b>Maintenance</b> .....	<b>7</b>
Water Supply / Drain .....	7
Detergent (Option) .....	8
Replacement .....	9
Absorbent Mat/ Set the Timer .....	10
<b>Installation</b> .....	<b>11</b>
<b>Note Items</b> .....	<b>14</b>
Consumables / Notes .....	14
Guarantee / Memo .....	15

# Safety Notice

In this instruction manual, there are two kinds of Safety Notice.

## Warning / Attention



### Warning

When there are some possibility of a serious injury and/or damage in a dangerous accidents due to a careless user.



### Attention

When there are some possibility of a slight injury and/or damage in a dangerous accidents due to a careless user



### Warning

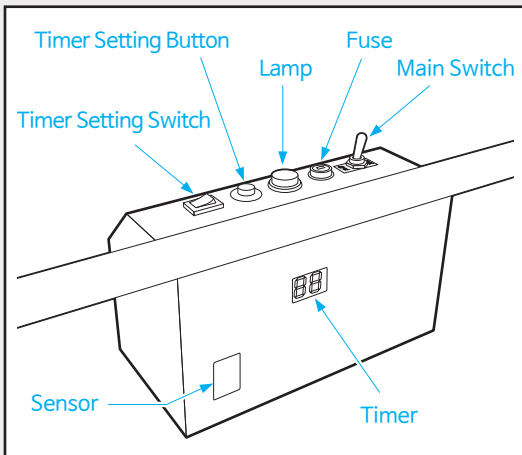
- ⦿ Do not remodel this equipment.
- ⦿ Do not install this equipment at the places children enter.
- ⦿ Do not put your hands into The Deck and/or The Water Tank on operation.
- ⦿ Do not step on the both of Motor Box Cover and Water Supply Valve Cover.
- ⦿ Do not install this equipment at the place which can be wetted by rain and and be sunk by water.
- ⦿ Do not wash & clean while the motor Box Cover is opened.  
Users can get shocked by an electricity.



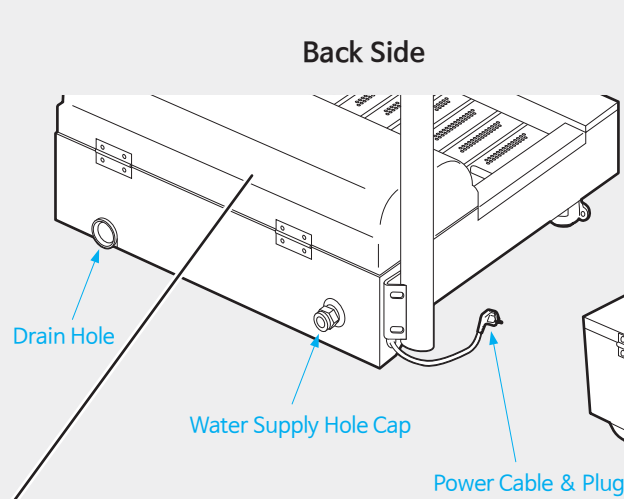
### Attention

- ⦿ Do not drain water at the place without drainage.  
Human being can slide down on the floor and/or the place and can get hurt and/or injured.
- ⦿ If possible, do not install this equipment at the hot places over 40°C.
- ⦿ In case of the extreme frosty area, be always careful of freezing of the water in The WaterTank before operation.

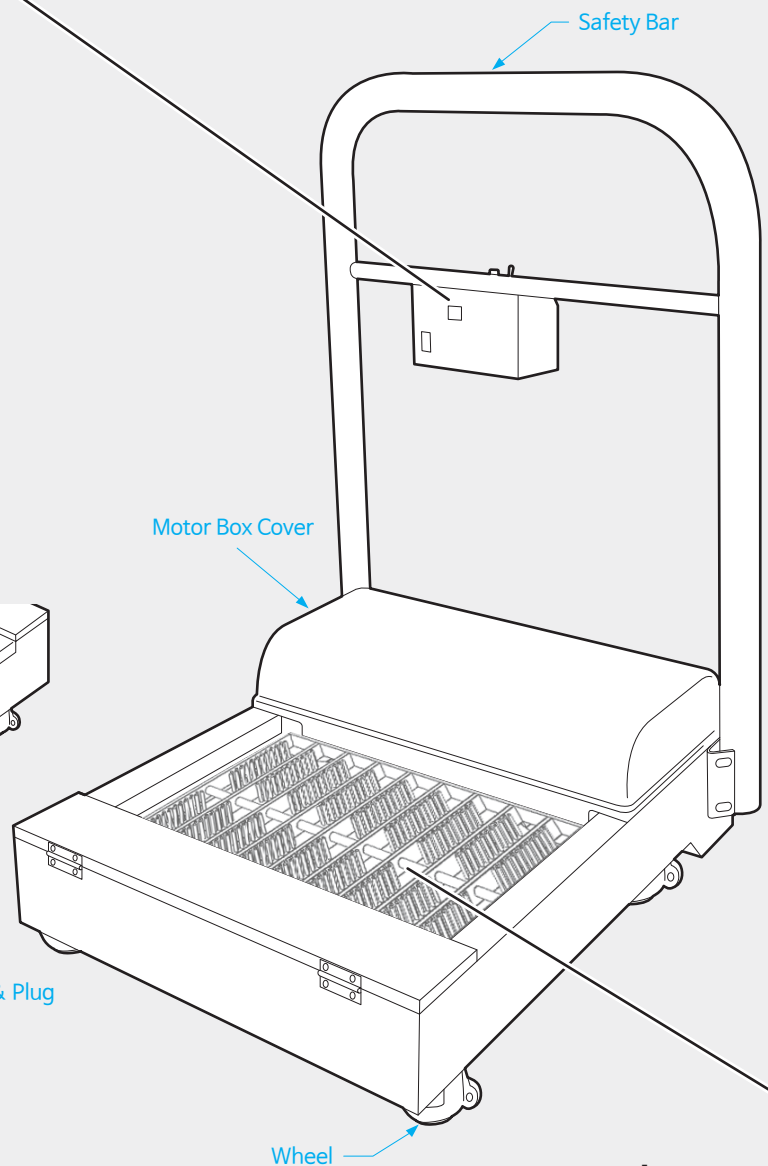
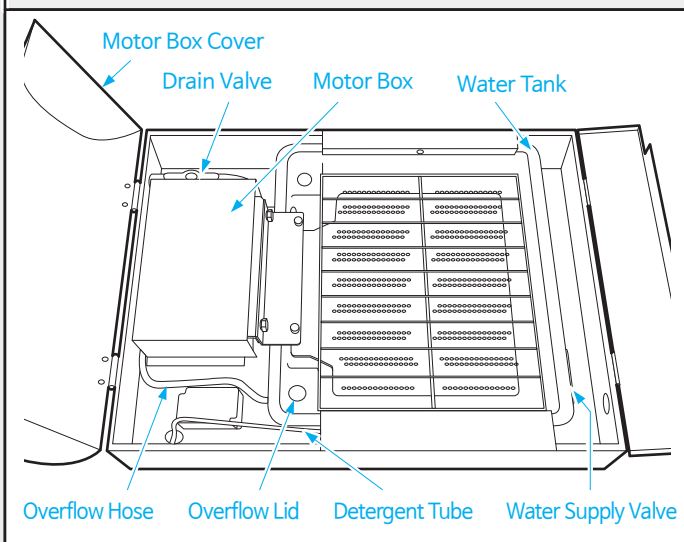
# Name of Parts



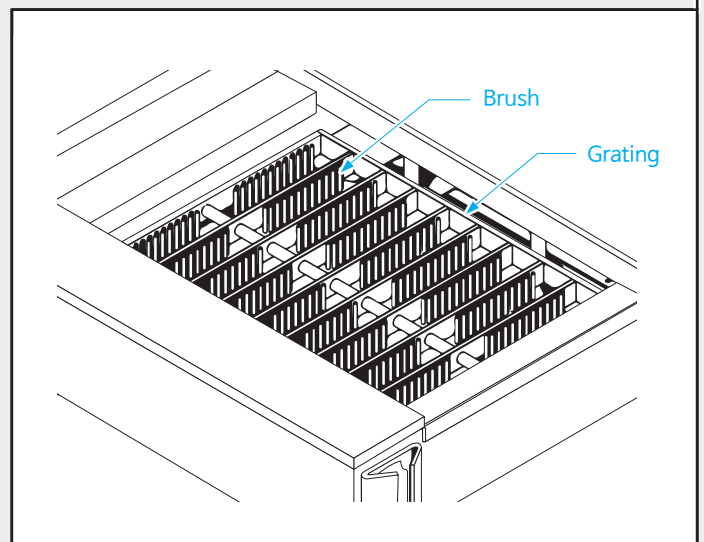
## Sensor Part



## Motor Box (Inside)

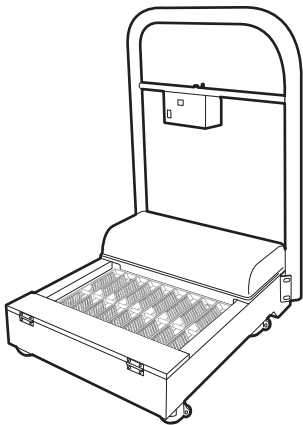


## Clean Part

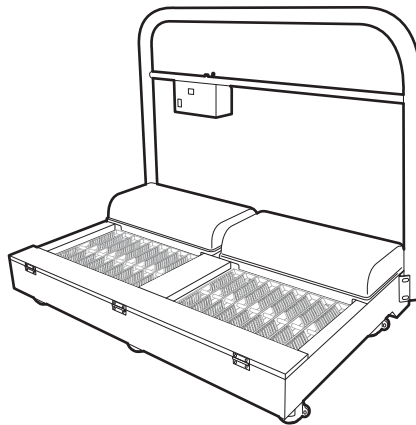


# Specification

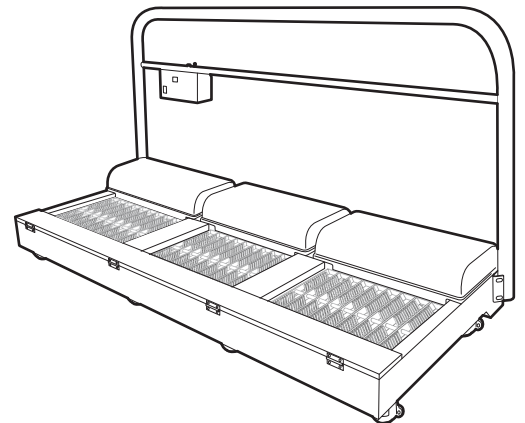
Model	CS-313	CS-313DX	CS-414	CS-414DX	CS-515
Size (mm) (W x L x H)	730 x 545 x 900	730 x 1150 x 900	730 x 1090 x 900	730 x 1695 x 900	730 x 2240 x 900
Power	AC 220V 50/60Hz				
Power consumption	40 W	40 W	80 W	80 W	120 W
Capacity of The Water Tank	10 L	10 L	20 L	20 L	30 L
Net Weight	38 kg	70 kg	70 kg	98 kg	98 kg



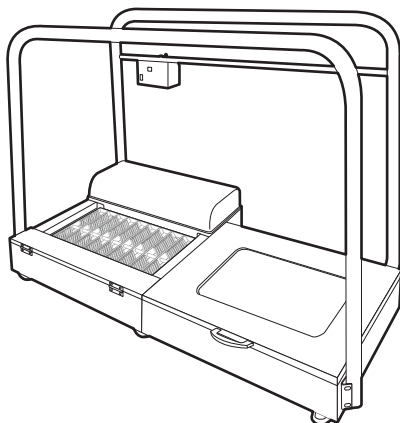
CS-313



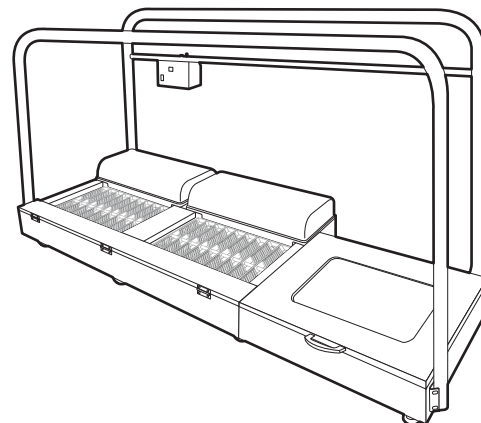
CS-414



CS-515



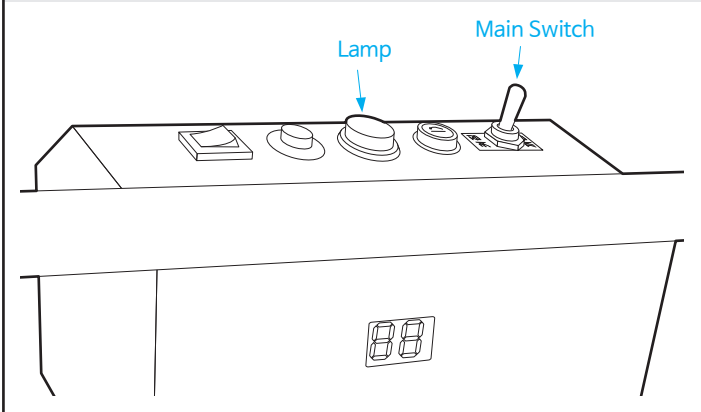
CS-313DX  
(All-in-one Absorbent Mat)



CS-414DX  
(All-in-one Absorbent Mat)

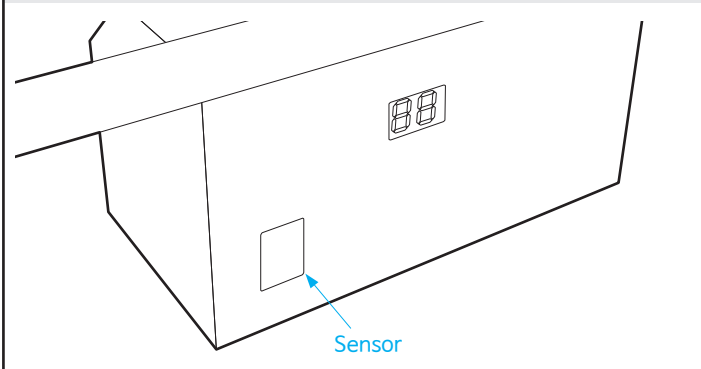
# How to use (Usage)

- 1 Turn on The Main Switch on The Control Box.  
Then, Green light is on The Lamp..

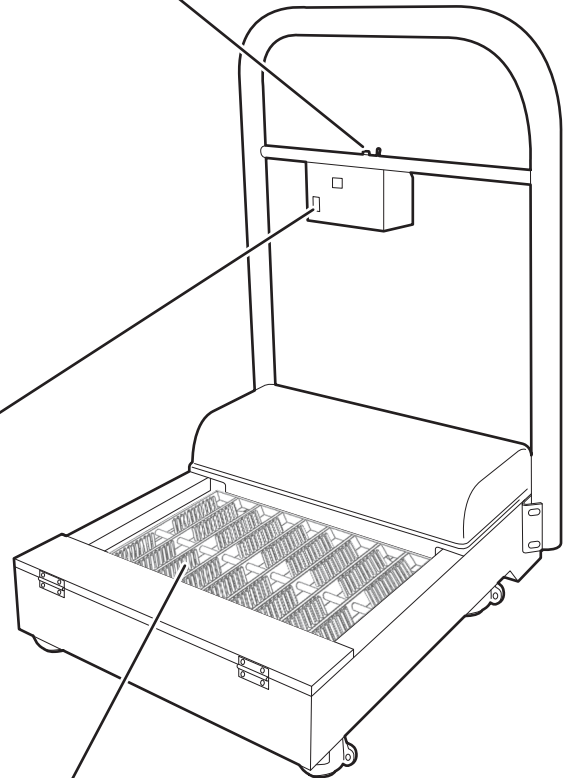
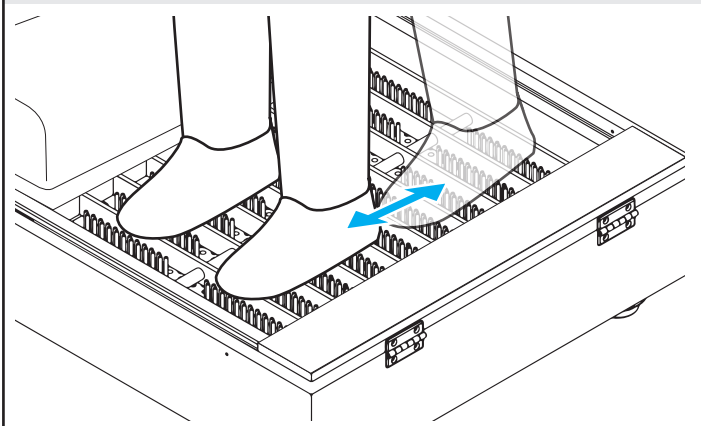


\* Please note DS-313 has only Main Switch, Fuse Box, and Lamp.

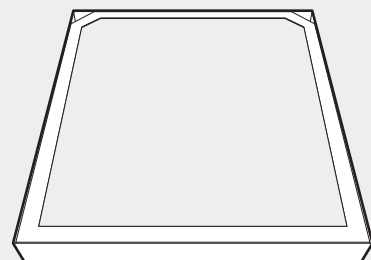
- 2 While stepping on The Deck, Sensor on The Control Box detects it automatically and Brush is moving



- 3 Move your feet slightly from front to back like the picture 4 times as minimum.



## Absorbent Mat



Step on the Absorbent Mat, and dry water on the shoes soles.

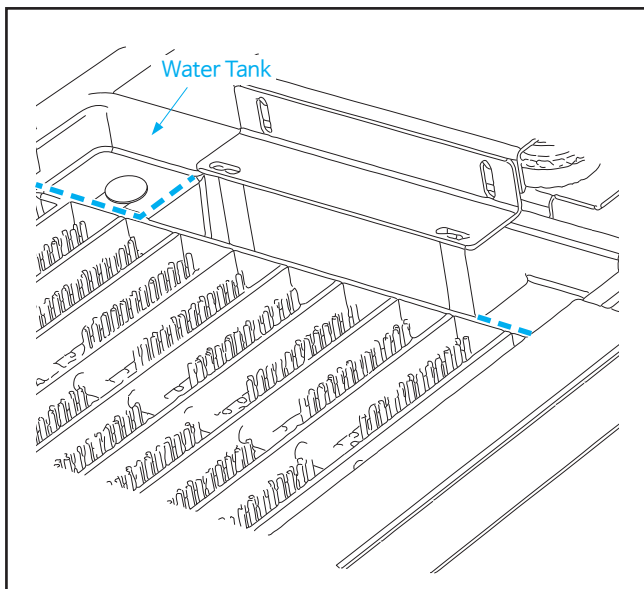
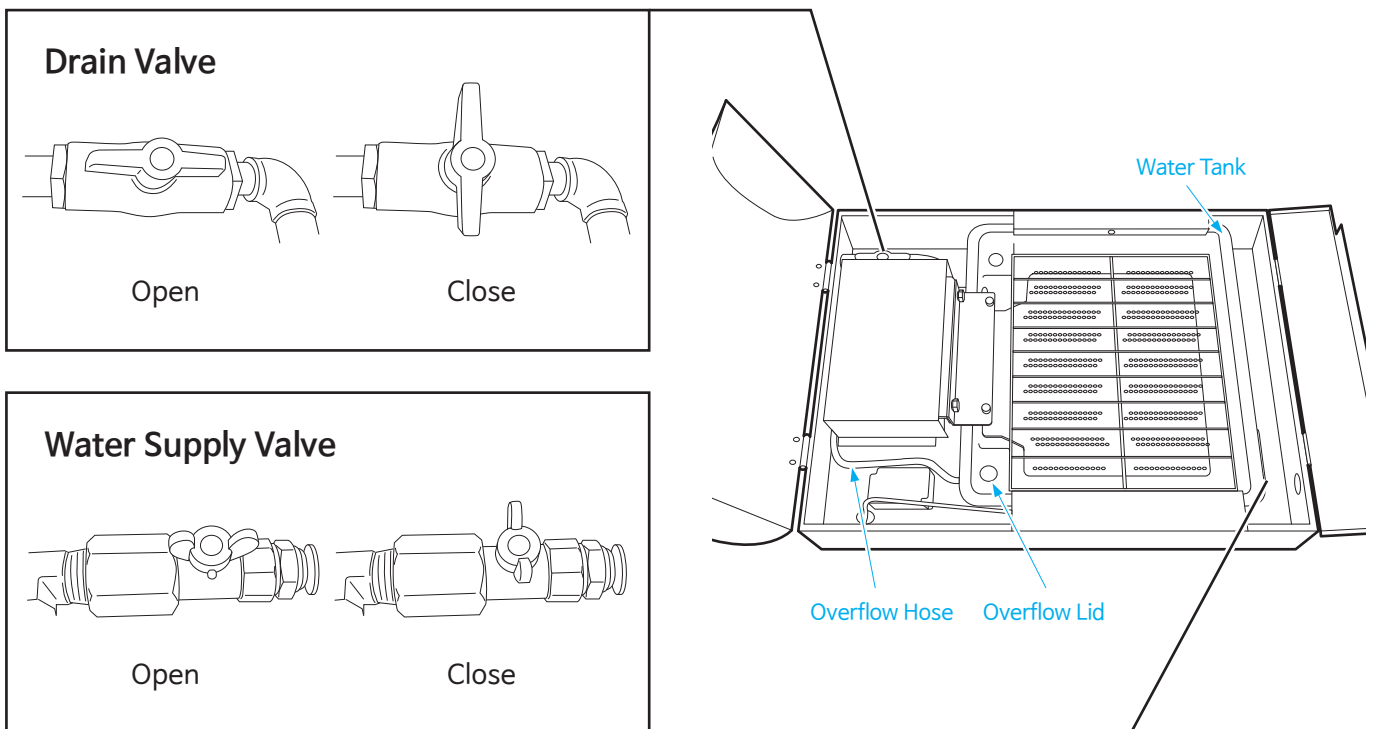
# Maintenance

## 1. Water Supply / Drain

1 Exchange the water in The Water Tank at every 1-5 days according to its dirty grade (or condition).

2 Open the Drain Valve, drain the water in the Water Tank, and close the Drain Valve again.

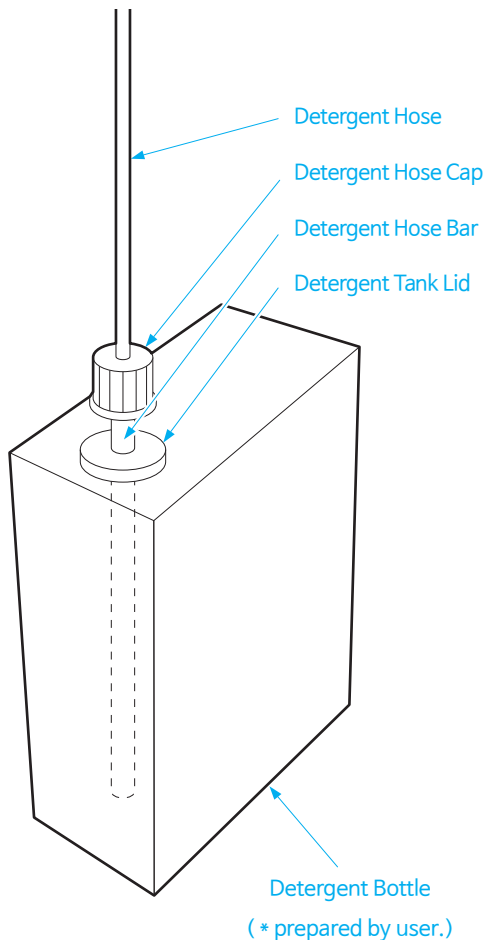
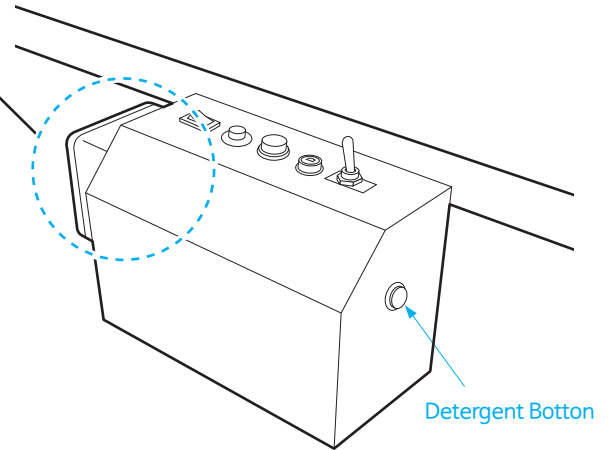
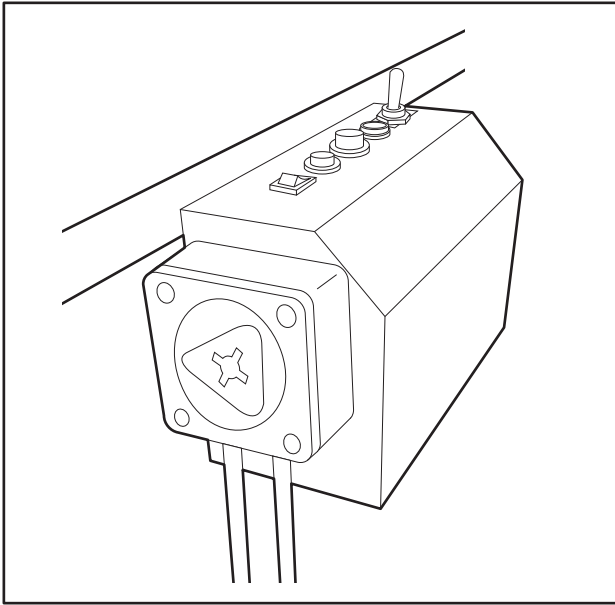
Then, open the Water Supply Valve and fill the water until the below blue dotted line.



3 In case of overflow of the blue dotted lines, open the Overflow Lid and release the water.

# Maintenance

## 2. Detergent (Option)



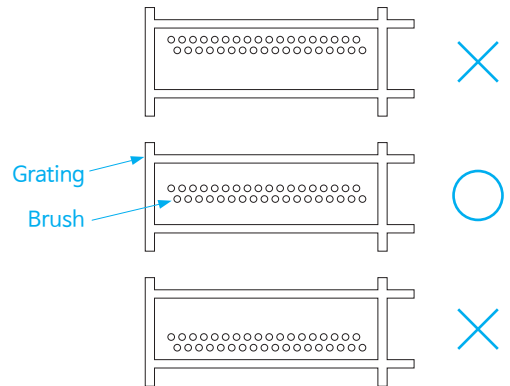
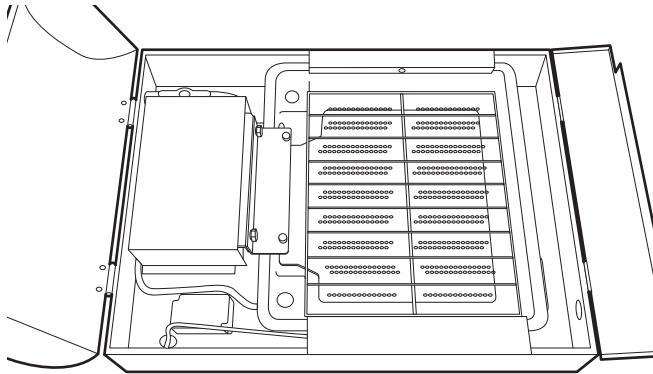
- 1** Mixing ratio : Water 70% / Detergent 30%.
- 2** To put the Detergent into the Water Tank, press Detergent Botton.  
To stop input of Detergent, press this Botton once again.
- 3** To connect Detergent Hose  
Follow the left picture and connect accordingly.



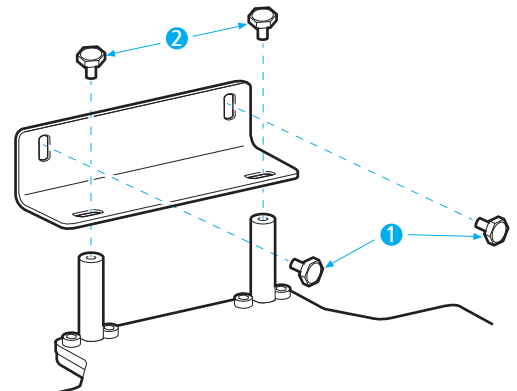
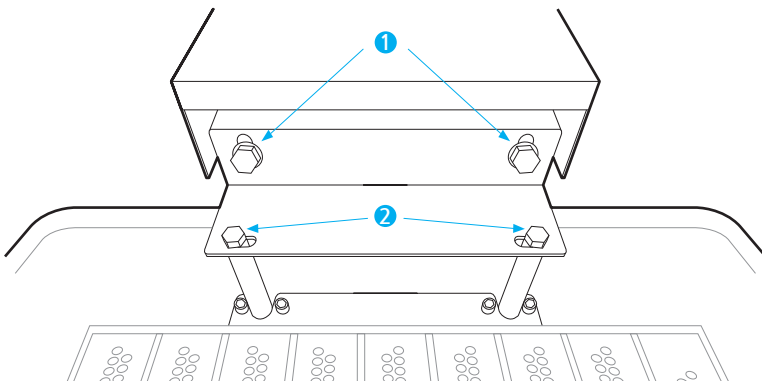
# Maintenance

## 3. Replace of Brush

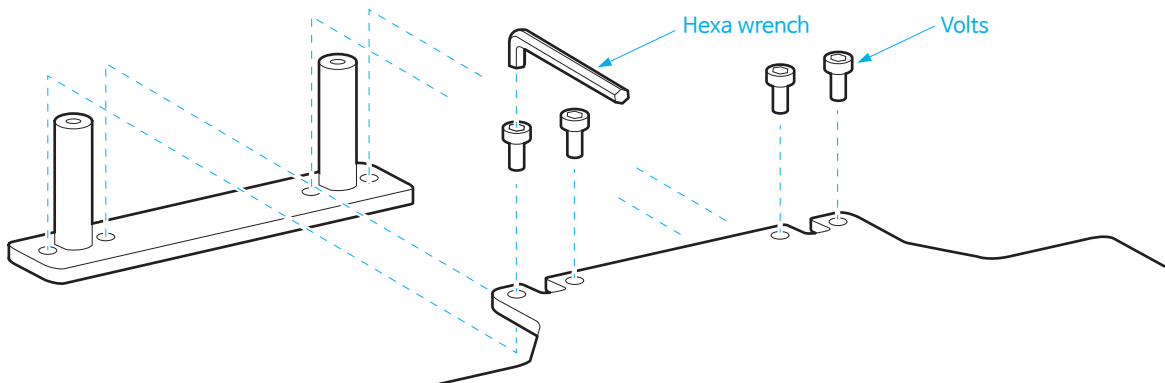
- 1 Make the Sensor operate and keep each location of Brush be in the center of each cell of The Grating.



- 2 Loosen the hexa volt (No. ①) below and the medium hexa volt (No. ②).



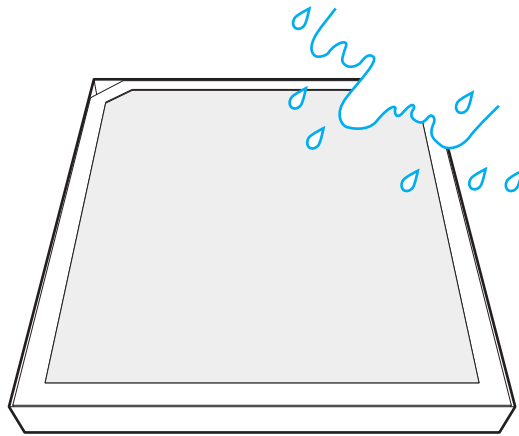
- 3 Loosen the small 4 volts by using of the hexa wrench.  
Change it with new Brush Plate and reassemble it in the reversed order.



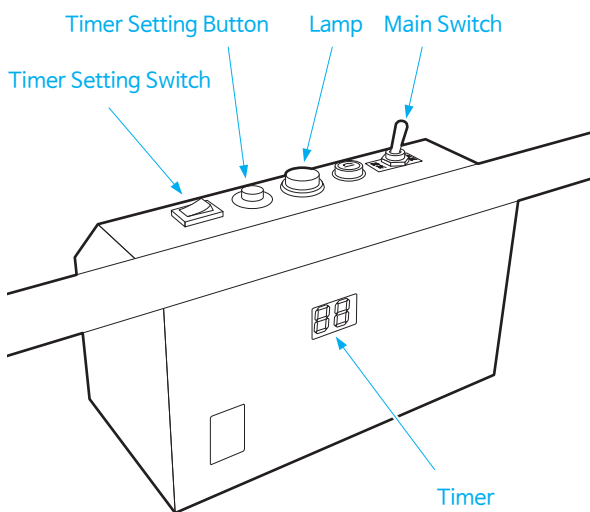
# Maintenance

## 4. Absorbent Mat

It should be always wetted enough for the use. Be careful not to dry The Sponge Mat.



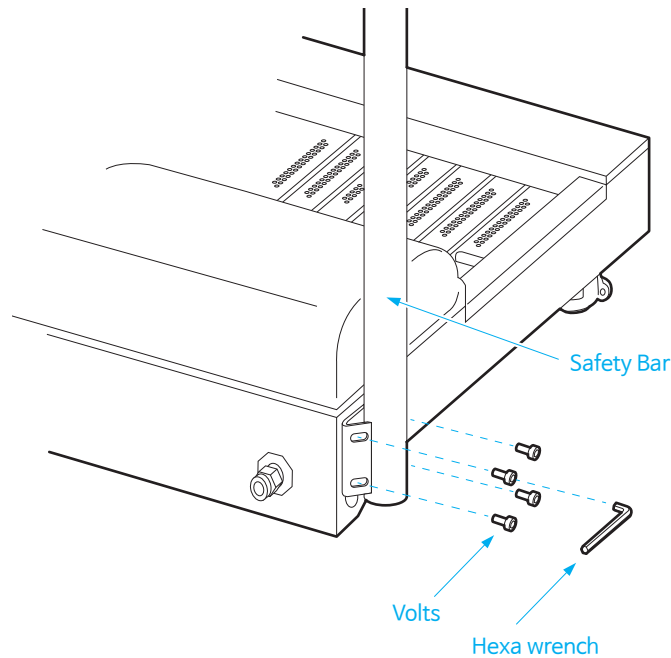
## 5. Set the Timer



- 1 Turn on The Main Switch on The Control Box.  
Then, Green light is on The Lamp.
- 2 Turn on The Timer Setting Switch. (ON)
- 3 Press The Timer Setting Button.  
( from min. 5sec to Max. 15sec)
- 4 Turn off The Timer Setting Switch definitely  
after setting time. (OFF)  
  
(\* After stopping operation, it takes  
approximately 2 sec. to re-start operation.)

# Installation

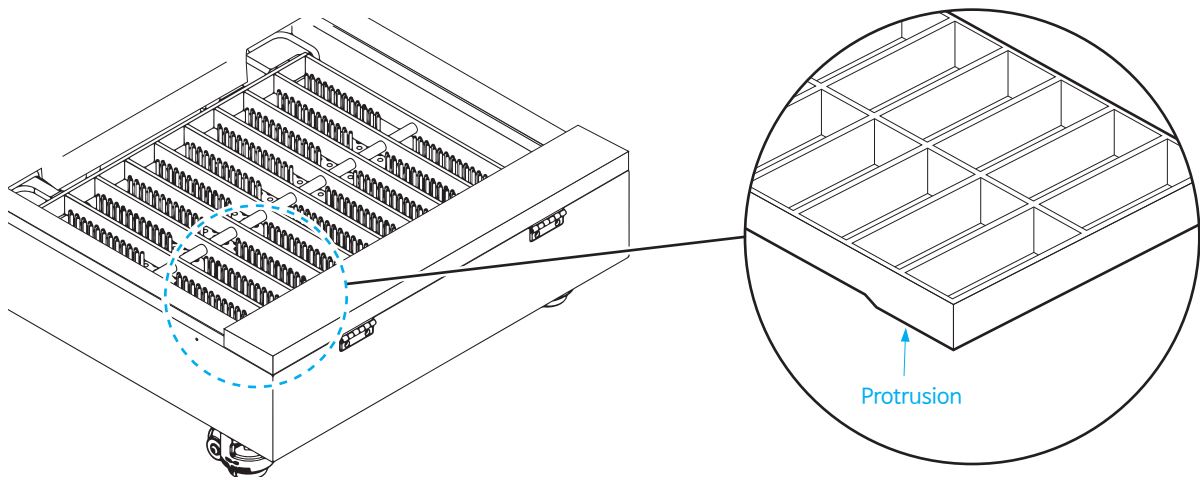
- 1 Take out the equipment from the packing carton. After standing The Safety Bar, fix it with two hexagon volts per each side. In case of DX Types, 4 hexagon volts.

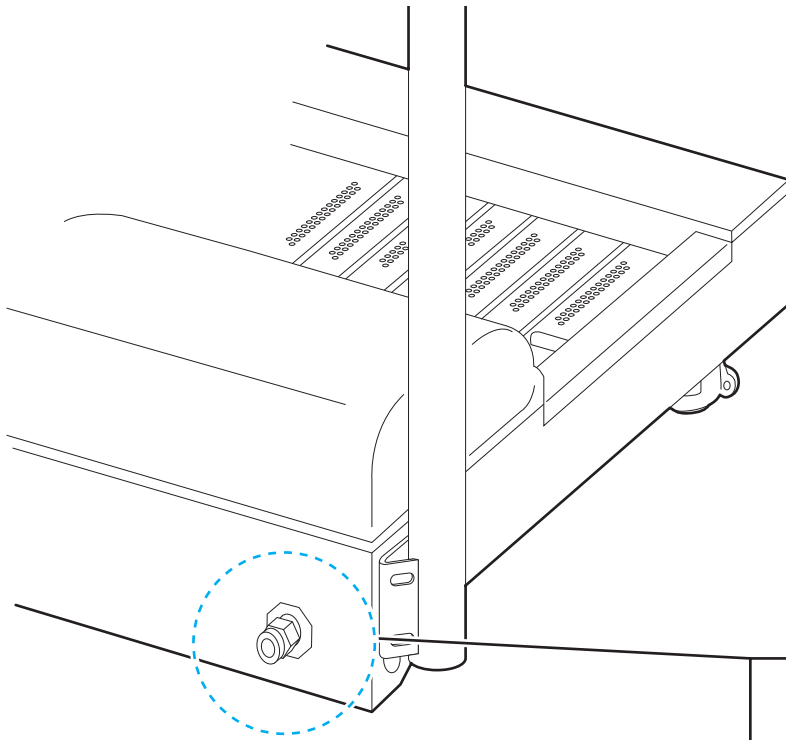


- 2 Normally, height of Brush from the surface of The Deck is around 3mm

\* If the tread of shoes designed deeply. - Ex: Rubber Boots, Safety Works shoes :  
Make The Sensor operate and keep each location of Brush in the center of the  
related each cell of the deck.

Turn The Deck the opposite way.

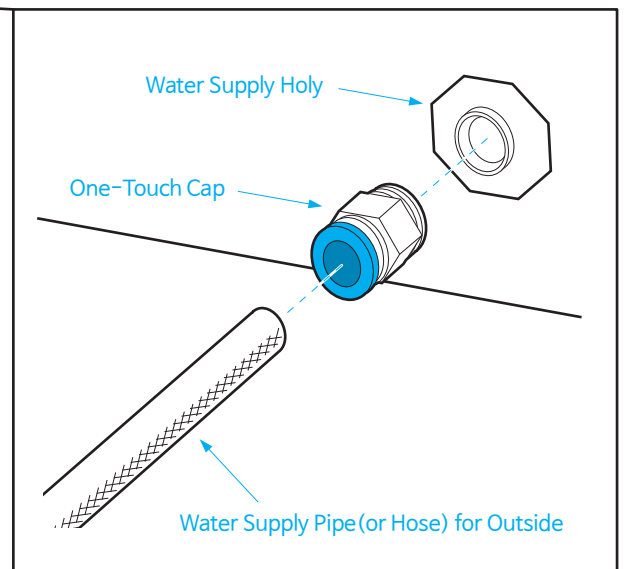




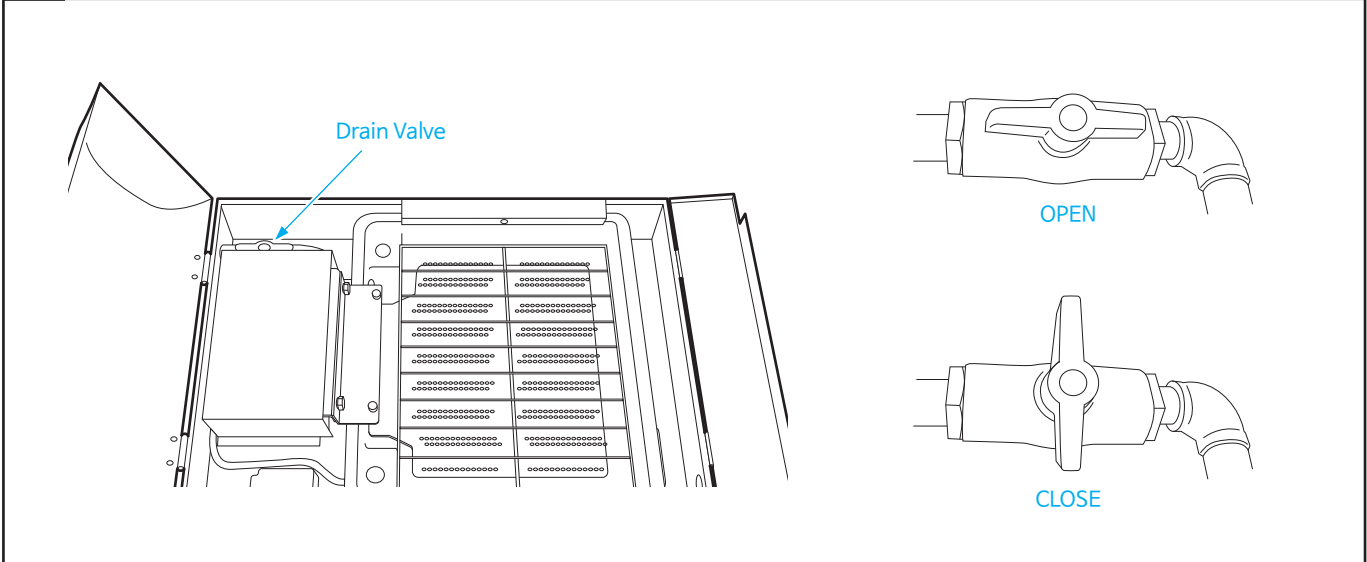
**3**

Inside diameter of Water Supply Hole :  $\varnothing$  18.6mm.  
 Check the One-Touch Cap is connected in Water Supply Hole.

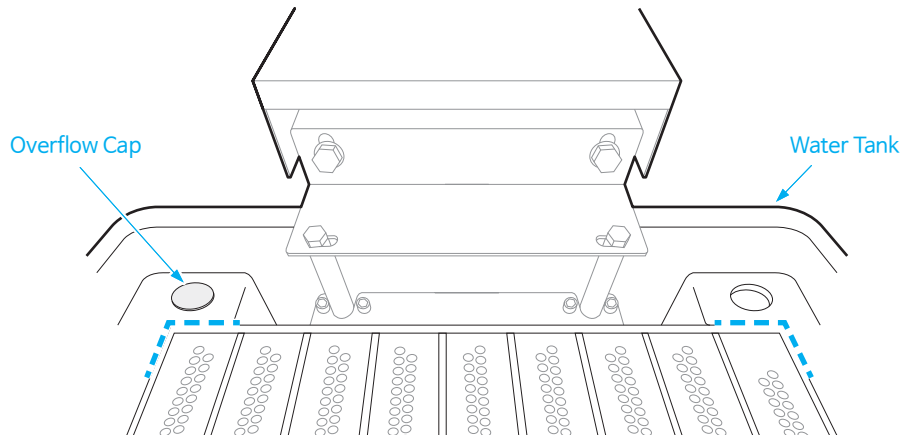
**4** Insert the Water Supply Pipe for Outside into the One-Touch Cap directly.  
 In case of separate Water Supply Pipe from the Tap, pull out the Pipe (or, Hose) pressing the Tap



**5** Check whether The Drain Valve is closed.

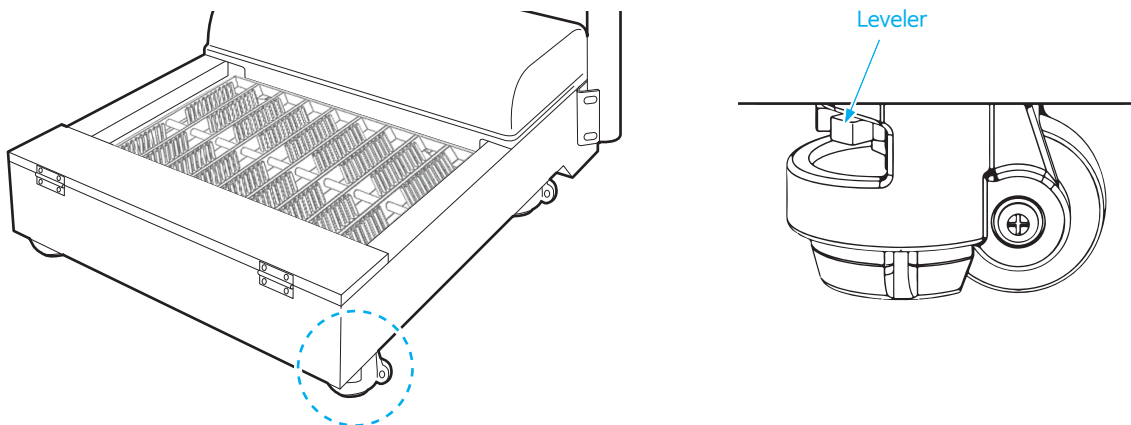


6 Open the Water Supply Valve, fill the water in the Water Tank until below dotted line.

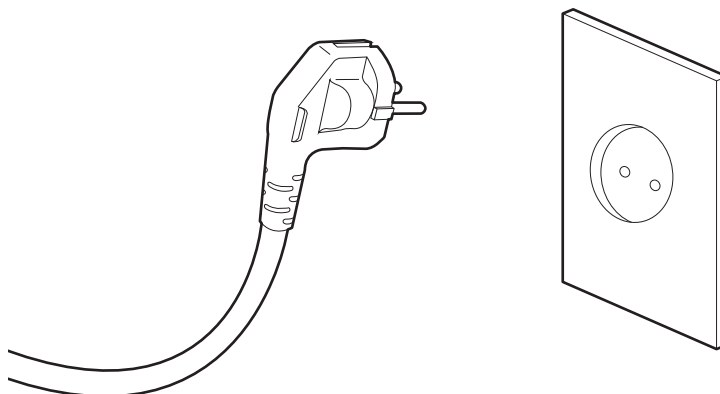


7 Keep the equipment horizontal adjusting the Leveler.

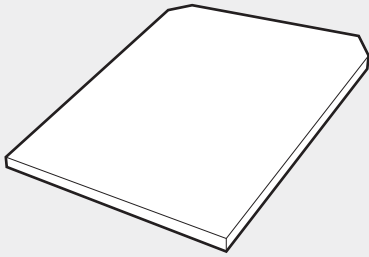
- \* Adjust Leveler to keep that the surface of the water in Water Tank should be horizontal.



6 Put The Plug. (Please use AC 220V / Single Phase, 50/60 Hz.)



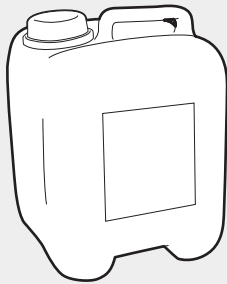
# Consumables



## CS MAT Refil

**Size**  
Medium (405 x 480 x 20mm)  
Large (520 x 510 x 20mm)

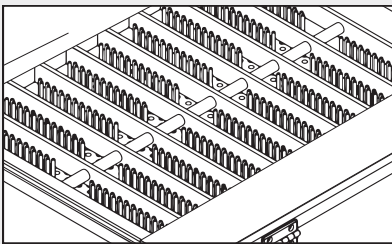
**Change Period**  
1.5Year ~ 2Years



## Detergent

**Size**  
2L / 4L / 10L

**Change Period**  
Depends on the environment



## Brush

**Change Period**  
1.5Year ~ 2Years

# Notes

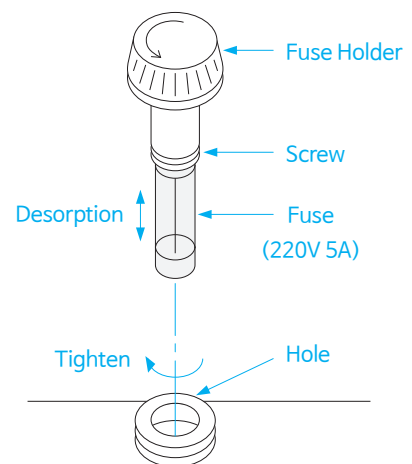
In case, Switch is on, but brush is not working

- ☞ Check the Plug is put in a wall socket.
- ☞ If fuse is burnt out, exchange it for a new one.



### Warning

Turn off definitely to check and/or inspect this equipment to avoid a shock by an electricity accident.



〈 How to change the Fuse 〉

# Guarantee

Warranty period is one year as from On-Board date of shipment.

Damage caused by Design and Production within this period can be serviced free of charge.

But, the compensation range is limited to only repairing and 2nd damage caused by a mechanical trouble is beyond this warranty.

Also, note charge for the repair within even this period should be paid in case of

- (1) Damage caused by user's carelessness as for the operation and/or Safety Notice at this Manual.
- (2) Damage caused by the unexpected natural disaster including Thunderstroke, Fire, Storm & Flood, Earthquake, etc.
- (3) Disassembly and Re-modeling of this equipment at user's disposal.
- (4) Damage caused by user's carelessness as for the working voltage.

# Memo